



Engineered  
in Italy

**NEW**  
5 BUSBAR

## FU 315 / 320 / 325 / 330 M NEXT

Monocrystalline Photovoltaic Module - 60 cells



### GENERAL FEATURES

- **15-year product warranty**
- **High-efficiency PERC cells** optimized for low irradiance decrease ohmic losses and increase the yield
- **Tempered 3.2 mm safety glass** for optimal mechanical stability and transparency
- **High temperature resistance** (tested at 105° C for 200 hours)
- For installations **up to an altitude of 7000 m**
- Maximum **resistance against hail** (83 km/h)
- Quality control with **electroluminescence (EL) tests** on each module

### CERTIFICATIONS

- > **IEC 61215:2016 - IEC 61730:2016 & Factory Inspection\***
- > **Fire Resistance - Class 1**
- > **Salt Corrosion Resistance**  
IEC 61701
- > **Ammonia Corrosion**  
IEC 62716
- > **Dust and Sand Resistance**  
IEC 60068-2-68

**NEW**

### GUARANTEES

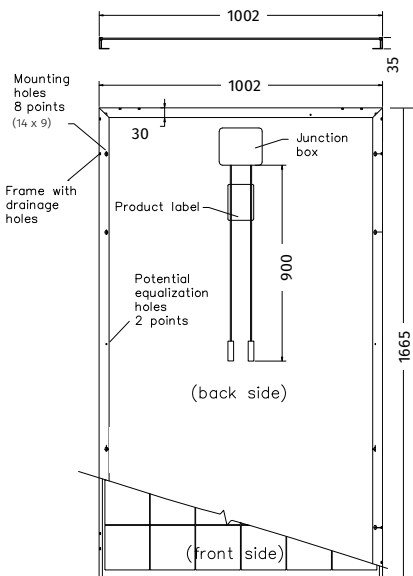
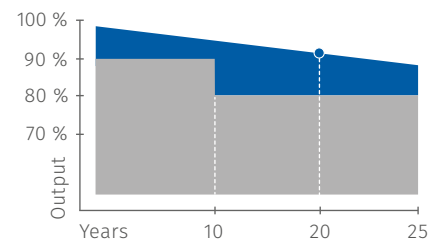
#### Performance guarantee

Max power decrease **0.5%/year**  
97% at the end of first year  
**90% at the end of 20<sup>th</sup> year**  
87% at the end of **25<sup>th</sup> year**

#### Product guarantee

**15 YEARS**

■ Market standard performances  
■ FuturaSun performances



## ELECTRICAL DATA

| MODULE NEXT  |   | FU 315 M | FU 320 M | FU 325 M | FU 330 M |
|--|---|----------|----------|----------|----------|
| <i>Standard Test Conditions STC: 1000 W/m<sup>2</sup> - AM 1.5 - 25 °C - tolerance: Pmax (±3%), Voc (±4%), Isc (±5%)</i> |   |          |          |          |          |
| Module power (Pmax)  | W | 315      | 320      | 325      | 330      |
| Open circuit voltage (Voc)   | V | 41.02    | 41.24    | 41.44    | 41.66    |
| Short circuit current (Isc)  | A | 9.8      | 9.88     | 9.96     | 10.04    |
| Maximum power voltage (Vmpp)   | V | 33.42    | 33.68    | 33.93    | 34.17    |
| Maximum power current (Impp)   | A | 9.43     | 9.51     | 9.58     | 9.66     |
| Module efficiency  | % | 18.81    | 19.18    | 19.48    | 19.78    |

*Nominal Module Operating Temperature NMOT: 800 W/m<sup>2</sup> - T=45 °C - AM 1.5*

|                              |   |        |        |        |        |
|------------------------------|---|--------|--------|--------|--------|
| Module power (Pmax)          | W | 231.33 | 235.11 | 238.60 | 242.29 |
| Open circuit voltage (Voc)   | V | 37.83  | 38.04  | 38.22  | 38.43  |
| Short circuit current (Isc)  | A | 8.06   | 8.12   | 8.19   | 8.26   |
| Maximum power voltage (Vmpp) | V | 30.25  | 30.48  | 30.71  | 30.92  |
| Maximum power current (Impp) | A | 7.65   | 7.71   | 7.77   | 7.84   |

## TEMPERATURE RATINGS

|                              |      |                 |
|------------------------------|------|-----------------|
| Temperature coefficient Isc  | %/°C | 0.0344          |
| Temperature coefficient Voc  | %/°C | -0.273          |
| Temperature coefficient Pmax | %/°C | -0.389          |
| NMOT **                      | °C   | 45              |
| Operating temperature        | °C   | from -40 to +85 |

\* Certification on going

\*\* Nominal Module Operating Temperature

## MECHANICAL SPECIFICATIONS

|                              |  |
|------------------------------|--|
| Dimensions                   | 1665 x 1002 x 35 mm  |
| Weight                       | 18.4 kg  |
| Glass                        | Tempered, transparent, 3.2 mm                                  |
| Cell encapsulation           | EVA (Ethylene Vinyl Acetate)                                   |
| Cells                        | 60 monocrystalline PERC cells 158.75x158.75 mm                 |
| Backsheet                    | Composite multilayer film                                      |
| Frame                        | Anodized aluminium frame with mounting and drainage holes      |
| Junction box                 | Certified according to IEC 62790, IP 68 approved               |
| Cables                       | Solar cable, length 900 mm assembled with MC4-combinable plugs |
| Maximum reverse current (Ir) | 20 A   |
| Maximum system voltage       | 1000 V<br>(1500 V on request)                                  |
| Maximum load (wind/snow)     | 5400 Pa<br>(including safety factor 1.5)                       |
| Protection Class             | II - accordance to IEC 61730                                   |

Authorized Dealer



**FuturaSun srl**

Riva del Pasubio, 14 - 35013 Cittadella - Italy  
Tel + 39 049 5979802 Fax + 39 049 0963081  
[www.futurasun.com](http://www.futurasun.com) - [info@futurasun.it](mailto:info@futurasun.it)

2019\_60m\_315-330\_en